

The automatic chlorine feeder works by passing regulated water through the tank to slowly dissolve the sanitiser into the water. You should never use any other chemical in your chlorine feeder other than chlorine tablets.

This feeder holds up to 9 large tablets (3-inch diameter) or approximately 4.2 lbs of small tablets. It has a dial-type control valve to regulate the rate of water flow through the chlorine feeder. By regulating the valve setting between FULL (more chlorine) and 1/8 (less chlorine) and the amount of chlorine tablets you place in the feeder, you can easily adjust the chlorine feed rate that is necessary to maintain the proper chlorine residual for your pool or spa.

When using this feeder, you will still need to use the test strips to check the chlorine, pH and alkalinity levels.

INSTALLATION

This automatic chlorine feeder is for permanent installation in the circulation system. You must always install the chlorine feeder after the heater. Damage to the heater or filter may result if concentrated chlorine is allowed to flow through them.

This feeder comes with 1.5-inch male threads to connect to the pipework. Please do not overtighten the union as this could cause leaks or cracks. The feeder itself tells you which way the flow needs to go. There is also a bleed valve on top of the lid that gets rid of any air that is in the system. This will need to be bled prior to use or the feeder will not work.

The preferred installation is located in the line connected to the filter and heater system, but installed after the heater.

DIRECTIONS FOR USE

Before the start-up of your chlorine feeder, your pool/spa should be properly conditioned and have a chlorine residual of approximately 1.0 to 1.5 ppm.

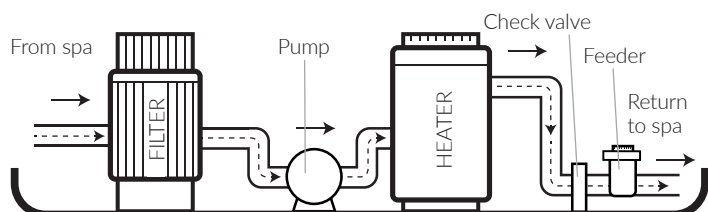
The chlorine demand for pools and spas vary based on use, temperature and sunlight for example. Initially, you will have to experiment to determine the correct amount of chlorine and the valve setting required for your pool and filter time cycle.

Using a 1,000L hot tub as a guide, we suggest you place approximately 4-6 (25g each) of small slow-dissolve tablets in your feeder and place the dial valve setting at 1/4.

Reduce or increase the valve setting according to spa size, i.e. 1500L, then set the valve at 1/2. Check the chlorine levels and adjust the dial valve for more or less chlorine.

Increasing the quantity of chlorine in your feeder will extend the time between recharging your feeder with more chlorine. This is very much a trial-and-error process, until you get to the desired chlorine level. Testing is still needed with this dispenser.

Important: Never install the chlorine feeder directly into copper plumbing as pipe damage may occur. If you have brass or bronze backwash valves or other sensitive metallic components consult your hot tub retailer for precautions or recommendations for your particular system.



TO OPEN CHLORINE FEEDER :

1. Make sure the control assembly is in the off position. This will ensure the water does not overflow
2. Unscrew the lid and place the tablets in.

TO CLOSE CHLORINE FEEDER:

1. Place the cover cap back on the lid and ensure that the seal is in place
2. Place Dial Control Valve to the desired setting.

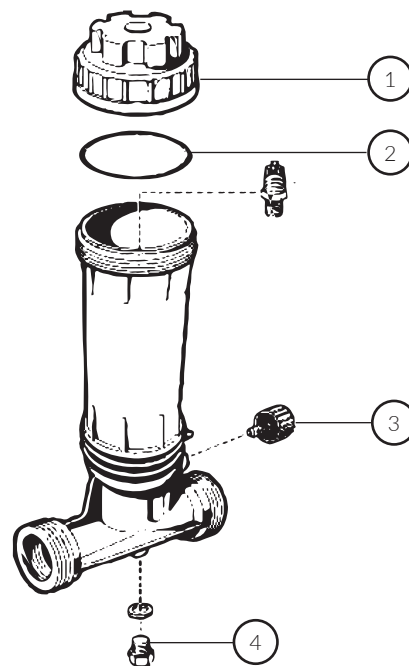
WINTERIZING

Where freezing temperatures can be expected, remove the drain plug and drain all water from the hot tub. This is located at the bottom of the feeder.

Carefully remove undissolved tablets and rinse out the chlorinator thoroughly with water. Replace the Cover and engage 1 1/2 turns.

THE FILTER

1. Lid
2. O-Ring
3. Control knob Assembly
4. Drain plug w/gasket



DIMENSIONS

